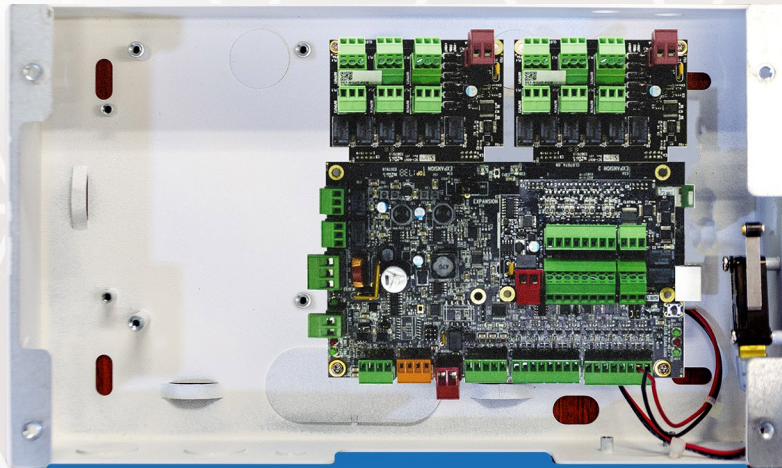


# SPG S1000

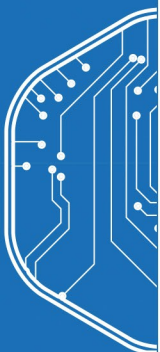
## Elevator Control Module



The SPG S1000 Smart Controller and constituent devices provides state-of-the-art elevator access control functionality.

An Elevator Control Module consist of an S1000 Remote IO installed with one (1) IO Expansion Card and two (2) 6Output Expansion Cards. Each module controls and monitor one (1) elevator car for up to sixteen (16) floors. Additional floors are easily scalable by adding more modules.

ARCO Platform, a web-based application that resides in either a central location or cloud, provides the collection point for all user activity, access alarm and data gathering from the connected S1000 Smart Controller located at each elevator.



Supports floor select and floor chosen



Centralized Monitoring



Modular Configuration



16 Floors per Module



Encrypted OSDP



Fully Scalable



Built in Battery charger

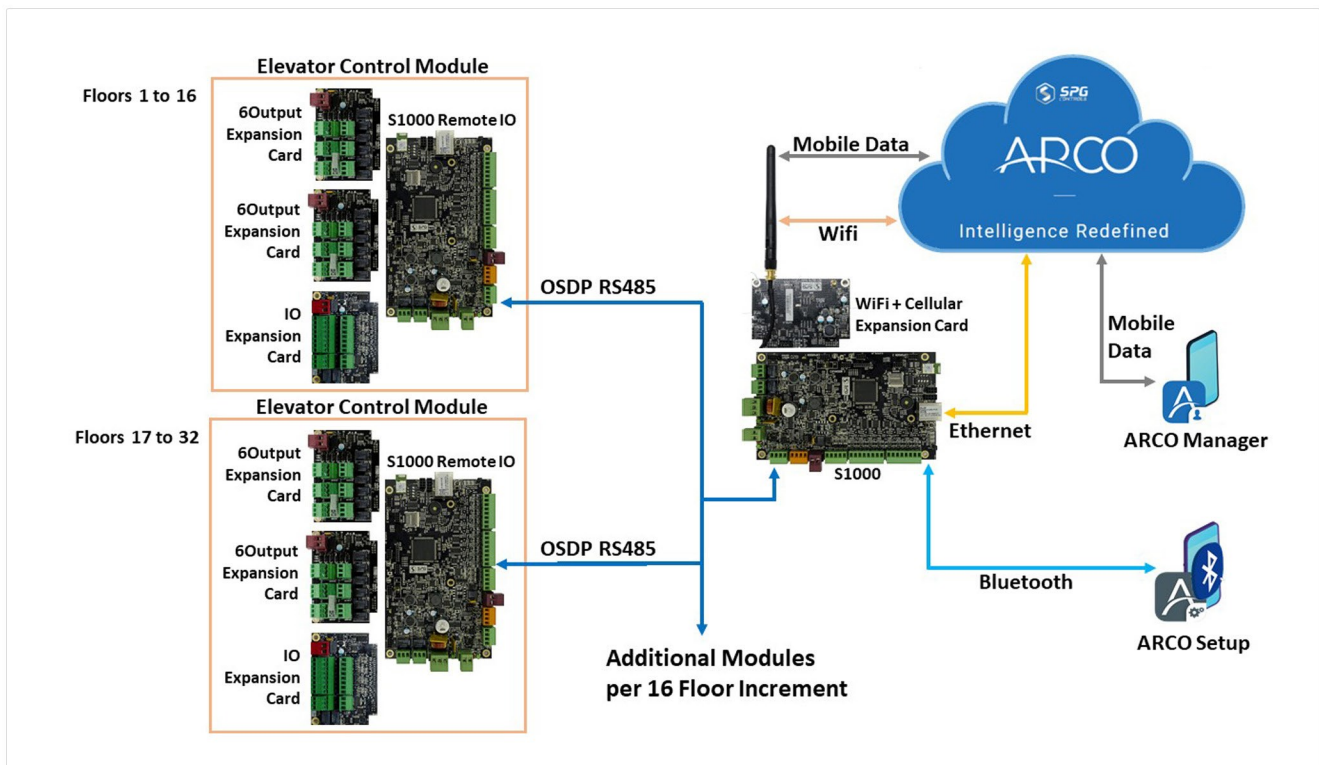


Auxiliary Output Supply

## Technical Specifications

Module Components	1x S1000 Remote IO 1x IO Expansion Cards 2x 6Output Expansion Card
Elevator Cars per Module	1
Floors per Module	16
Communication	Multidrop OSDP port isolated for connection to the master S1000 Smart Controller.
Power Supply and Battery	AC Input Range 90V to 264VAC, 47 to 63 Hz, 1.5A Max
Power Input	10-60VDC
Power Consumption	Typically 120mA at 12VDC
Power Protection	Resettable fuse 3.0A

## System Overview



## Ordering Information

Part Number	Product Code	Description
200130	SD1-REMIO-PCB	Remote IO PCB Board only
200139	SD1-REMIO-PCBKIT	Remote IO PCB Board plus mounting kit for a small enclosure
200100	SE1-8I2O-PCB	8 Input and 2 Output expansion card
200101	SE1-6OUT-PCB	6 Output expansion card